

SARASON WATERPROOF LED TV

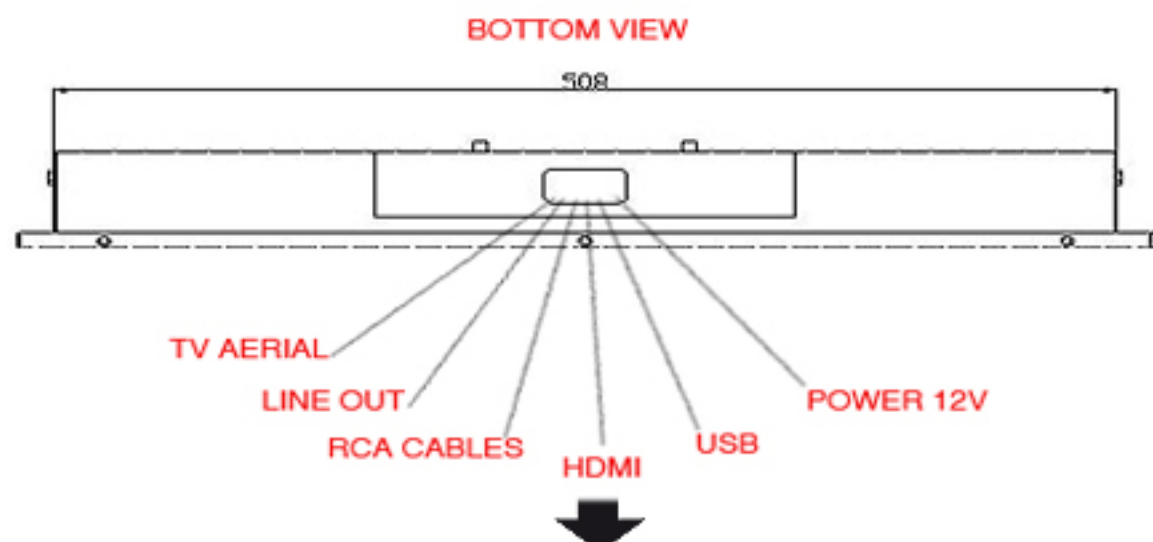
Waterproof TV Guide

Packing Include:

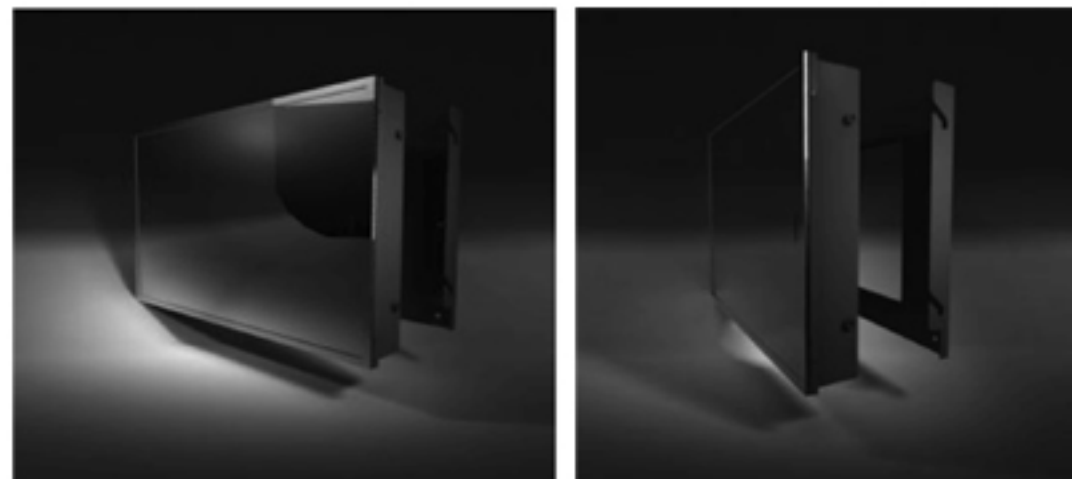
Please check whether the package includes the below items or not, please contact with the supplier once find anything missed.

- Mirror TV
- Remote control
- RF cable
- Waterproof Power adaptor
- User manual

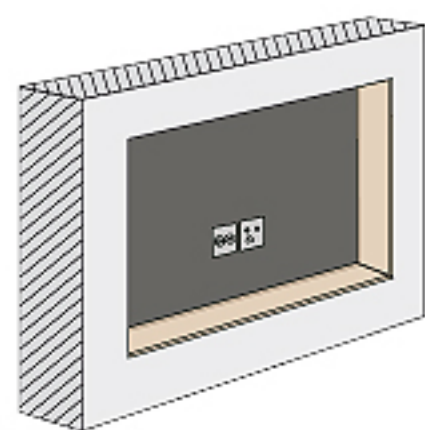
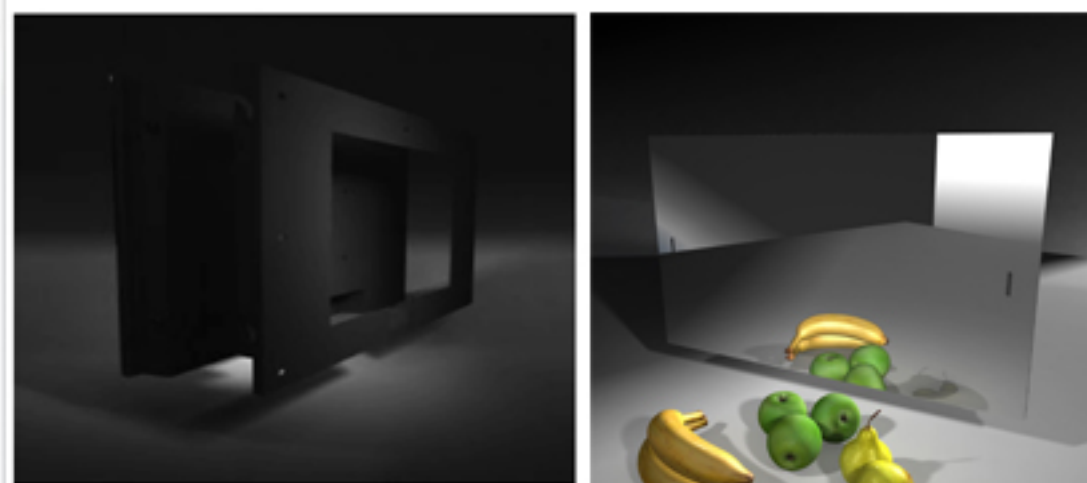
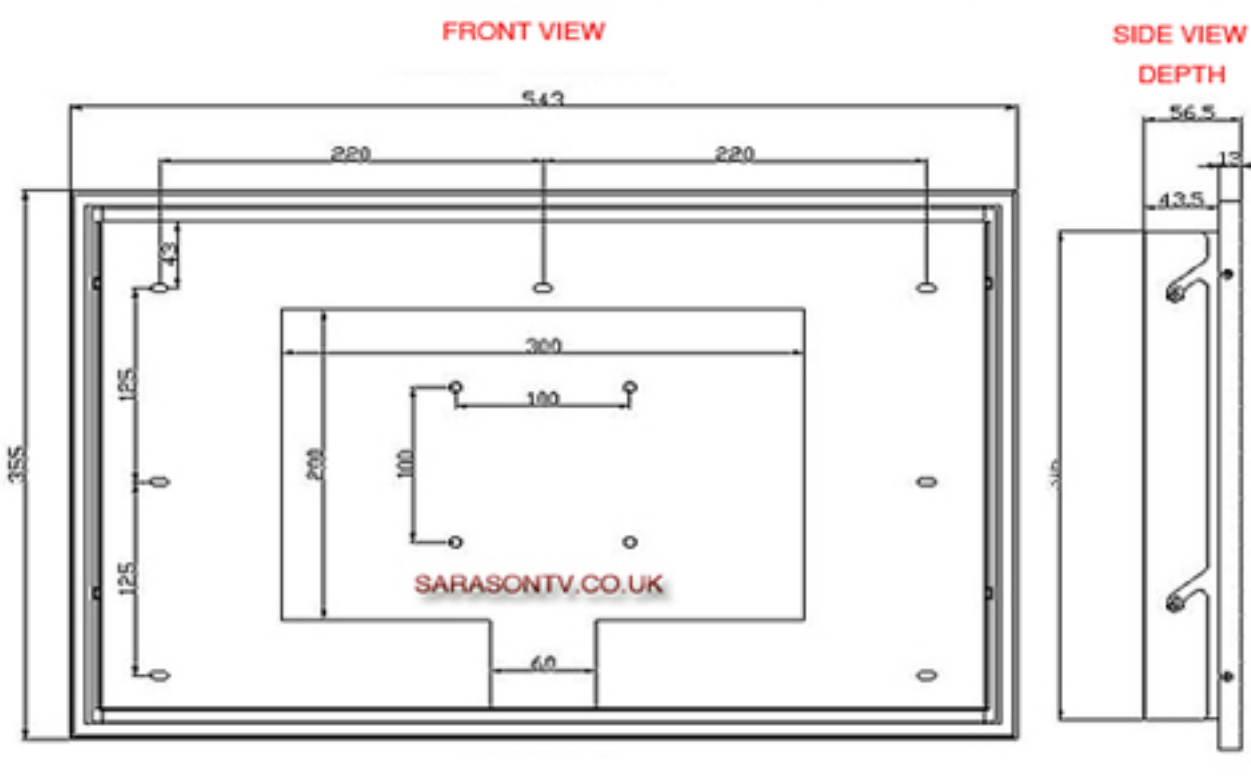
I. Interface



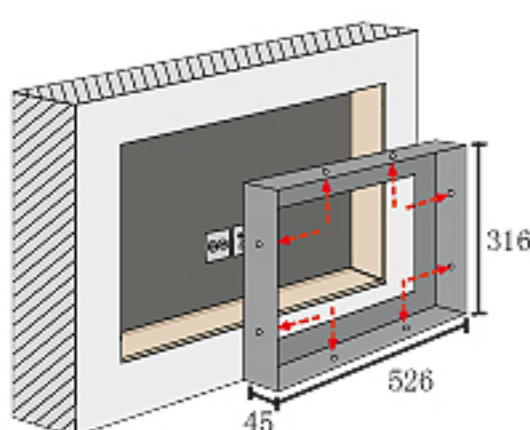
Wall Bracket



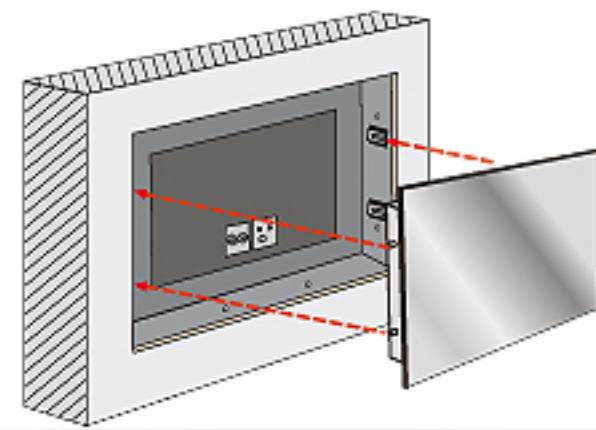
III. Size and Wall-embedded Type Installation



1, Drill a hole in the wall, size of 529X319X110mm



2, put the decoration bars around the hole



3. Set all the wires in the hole beforehand and then add the glues around the whole besides the TV. Installation finished.



Safety Instructions



Please read the specification manual carefully before using our products.

1. Only use the TV power adaptor provided.
2. Fix the TV on a solid place to avoid any drops and damages.
3. Please use the qualified sockets. Make sure the well function of the earthing protection. Use the waterproof socket in the bathroom.
4. Do not damage the power cable or modify it. Any Weight putting on the cable is forbidden. Keep the cable away from any heat sources. Do not drag the cable when disconnecting the power plug.
5. Clean the TV glass with the soft cloth and professional glass detergent. Do not use any chemical cleansers on it.
6. Do not open and detach the TV by your own without any professional guidance. Please contact the technical personnel to do the repair.

- Black out or unsteady voltage.
- Unusual sound or smell from the TV.
- AC power cable is damaged.
- TV is damaged because of knocking or hitting.

Turn off the TV immediately, and contact with the professional maintenance staff in time.

